

DESIGN NOTES

Highly Integrated High Efficiency DC/DC Conversion

Design Note 98

San-Hwa Chee and Howard Haensel

The LTC[®]1574 and LTC1265 high efficiency step-down regulators minimize external components by using integrated low RDS(ON) P-channel switches. The LTC1574 goes one step further by including a low forward drop Schottky diode—an industry first. Both regulators also include on-chip low-battery detectors.

Burst Mode[™] operation allows the LTC1574 and LTC1265 to achieve over 90% efficiency for load currents as low as 10mA. Current mode operation provides clean start-up, accurate current limit, and excellent line and load regulation. Inherent 100% duty cycle in dropout allows the user to extract maximum battery life. Both regulators can be shut down to a few microamperes.

LTC1574

The LTC1574 features the highest level of integration for a switching regulator. Besides an on-chip power MOSFET, it includes a low forward drop Schottky diode. The user needs only to provide an inductor and input/output filter capacitors for a complete high efficiency step-down converter. The current limit is pin selectable to either 340mA or 600mA, optimizing efficiency for a wide range of load currents.

Figure 1 shows a typical LTC1574 surface mount application requiring only three external components. It provides 3.3V at 150mA from an input voltage of 5V. Peak inductor current is limited to 340mA by connecting pin 6 (I_{PGM}) to ground. For applications requiring higher output current, connect pin 6 to V_{IN}. Under this condition the maximum load current is increased to 425mA. Efficiency curves for the two conditions on I_{PGM} are graphed in Figure 2. Note that all components remain the same for the two curves.

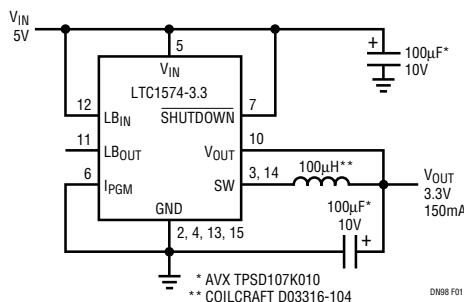


Figure 1. LTC1574 3.3V, 150mA Surface Mount

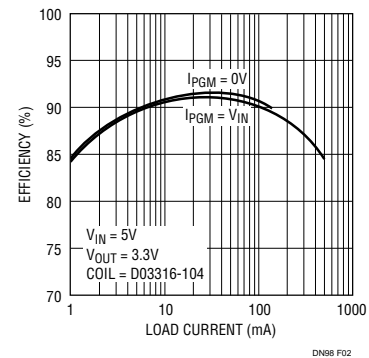


Figure 2. LTC1574 5V to 3.3V Efficiency

Low Noise Regulator

In some applications, it is important not to introduce any switching noise within the audio frequency range. Due to the Burst Mode nature of the LTC1574, there is a possibility that the regulator will introduce audio noise at some load currents. To circumvent this problem, a feed-forward capacitor can be used to shift the noise spectrum up and out of the audio band. Figure 3 shows the low noise connection with C2 being the feed-forward capacitor. The peak-to-peak output ripple is reduced to 30mV over the entire load range. A toroidal surface mount inductor L1 is chosen for its excellent self-shielding properties. Open magnetic structures such as drum and rod cores are to be avoided since they inject high flux levels into their surroundings. This can become a major source of noise in any converter circuit.

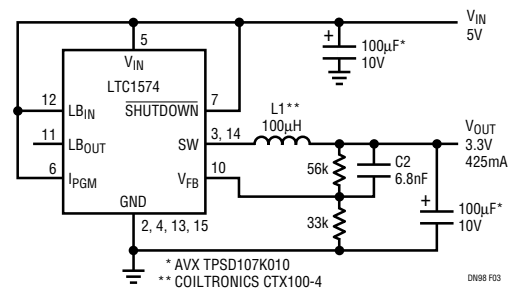


Figure 3. Low Noise 5V to 3.3V Regulator

LTC, LTC and LT are registered trademarks of Linear Technology Corporation. Burst Mode is a trademark of Linear Technology Corporation.

